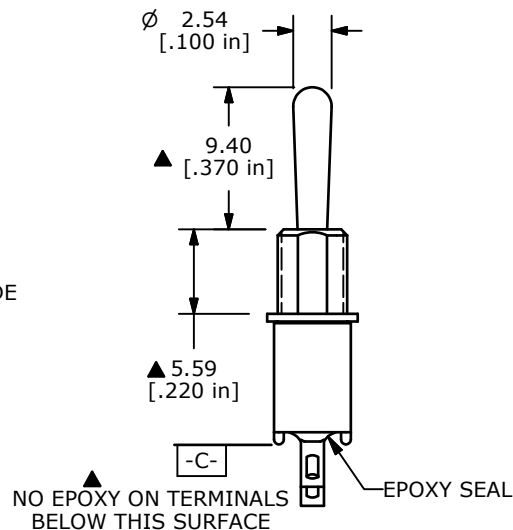
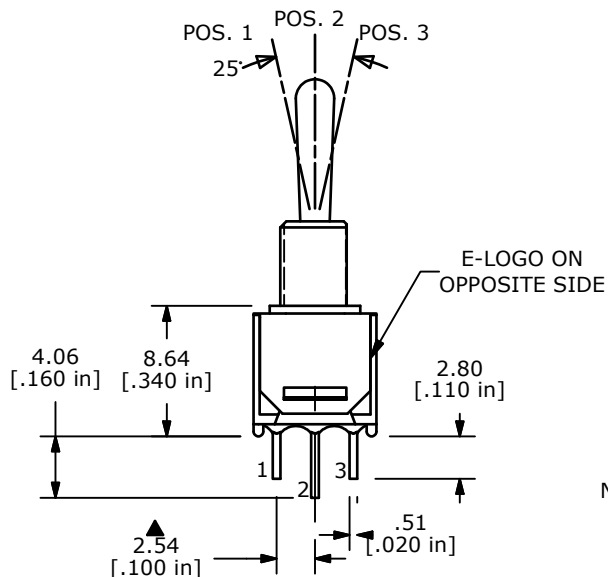
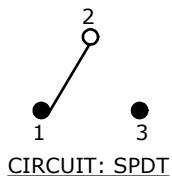


SWITCH FUNCTION		
POS. 1	POS. 2	POS. 3
ON	OFF	ON
2-3	OPEN	2-1



NOTE:

- ALL DIMENSIONS IN MM [INCH]
- GENERAL TOLERANCE: X.X=±0.4
X.XX=±0.25
- TERMINAL NUMBERS FOR REF ONLY
- CONTACT MATERIAL: SILVER
- RATING: 1A @ 250 VAC
3A @ 120 VAC OR 28 VDC
- ELECTRIC LIFE: 30,000 MAKE-AND-BREAK CYCLES AT FULL LOAD.
- INSULATION RESISTANCE: 1,000 MEGA-OHM MIN.
- DIELECTRIC STRENGTH: 1,000 V RMS @SEA LEVEL.
- OPERATING TEMP.: -30°C to 85°C
- ▲ DENOTES CRITICAL PARAMETER.
- 2002/95/EC (ROHS) COMPLIANT

E-SWITCH®

D	21638	ADDED DIM. & REMOVED WORDS	10/15/14	AS
C	16349	RREDRAWN IN INVENTOR FORMAT	8/21/06	BO
REV	PCR NO	DESCRIPTION	DATE	BY

TITLE 200MSP3T1B1M1QE				
SCALE	DATE	DR	DWG	REV
2:1	8/21/2006	BO	T212001	D

THE INFORMATION CONTAINED IN THIS DOCUMENT IS PROPRIETARY TO E-SWITCH AND IS NOT TO BE COPIED OR TRANSFERRED